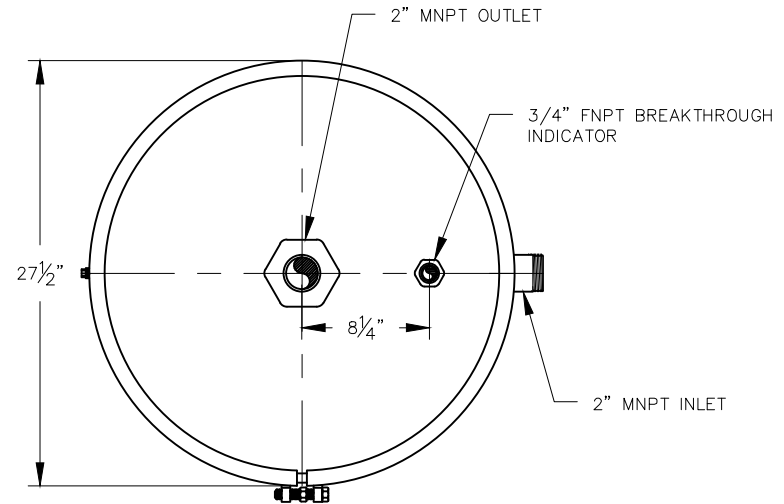


ELEVATION



PLAN

VESSEL STANDARDS

VESSEL MATERIALS : CARBON STEEL	APPROXIMATE VOLUME OF VESSEL : 12 FT. ³
LINING : EPOXY PHENOLIC	STANDARD CARBON FILL : 300 LBS
EXTERIOR PAINT : ACRYLIC WATERBORNE PRIMER & ENAMEL	SHIP WT. : 391 LBS
INTERNALS : PLENUM	CARBON TYPE : TIGG 5C 0410 VAPOR PHASE
ADSORBENT OUTLET ASSEMBLY : REMOVABLE COVER	MAXIMUM OPERATING PRESSURE : 6 PSIG
CONDENSATE DRAIN ASSEMBLY : 1/2" PLUG	MAXIMUM OPERATING TEMPERATURE : 200°F

2	REVISE INLET ELEVATION	JB	5/19/08
1	REVISE TITLE BLOCK	JB	2/10/03
NO.	REVISION	BY	DATE

PROJECT	
PROJ. NO.	SALES
P.O. NO.	
<small>THIS DRAWING AND DESIGN ARE THE PROPERTY OF TIGG CORP. AND SHALL NOT BE REPRODUCED IN WHOLE OR IN PART NOR EMPLOYED FOR ANY PURPOSE OTHER THAN SPECIFICALLY PERMITTED IN WRITING BY TIGG CORP. THIS DRAWING IS LOANED SUBJECT TO RETURN ON DEMAND.</small>	
DRAWN BY	ZS
DESIGN BY	BL
CHKD. BY	BL
DATE	10/12/99
SCALE	NTS



N-150

DWG. NO.	N-150-1001	REV.	2
----------	------------	------	---