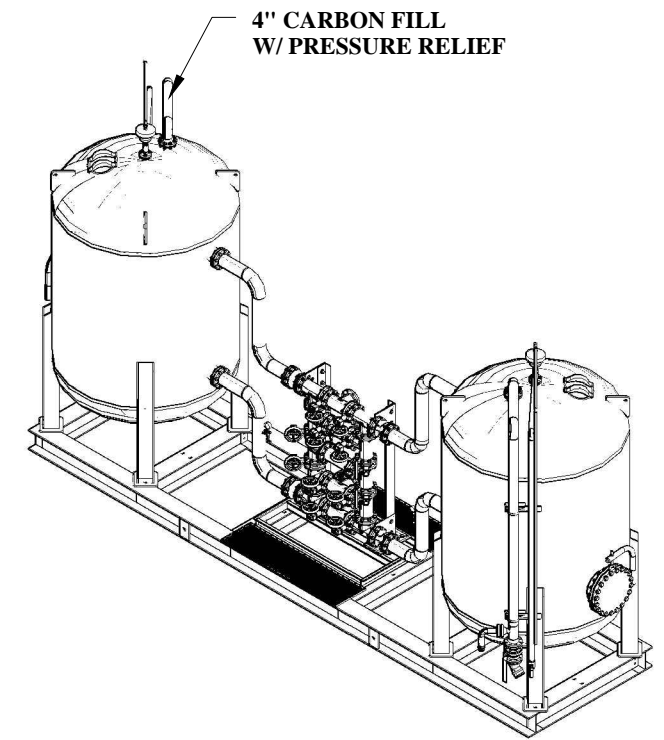
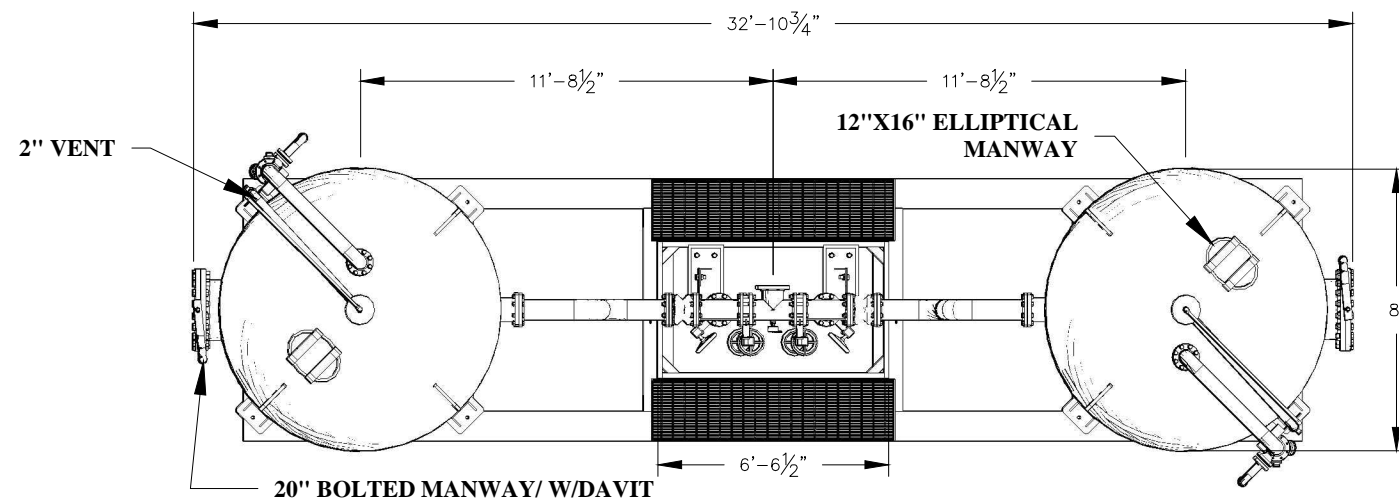


ELEVATION



ISOMETRIC




PLAN

FOR REFERENCE ONLY

PROJECT	CP-10K-8 (SYSTEM)
PROJ. NO.	SALES
P.O. NO.	
THIS DRAWING AND DESIGN ARE THE PROPERTY OF TIGG CORP. AND SHALL NOT BE REPRODUCED IN WHOLE OR IN PART, NOR EMPLOYED FOR ANY PURPOSE OTHER THAN SPECIFICALLY PERMITTED IN WRITING BY TIGG CORP. RETURN ON DELAND. SUBJECT TO P.	
DRAWN BY	JAK
DESIGN BY	JB
CHKD. BY	JB
DATE	11/25/2013
SCALE	NTS

NO.	REVISION	BY	DATE



TIGG
LLC.

SKID MOUNTED SYSTEM
GENERAL ARRANGEMENT

DWG. NO.	CP-10K-8-1004	REV.	0
----------	---------------	------	---