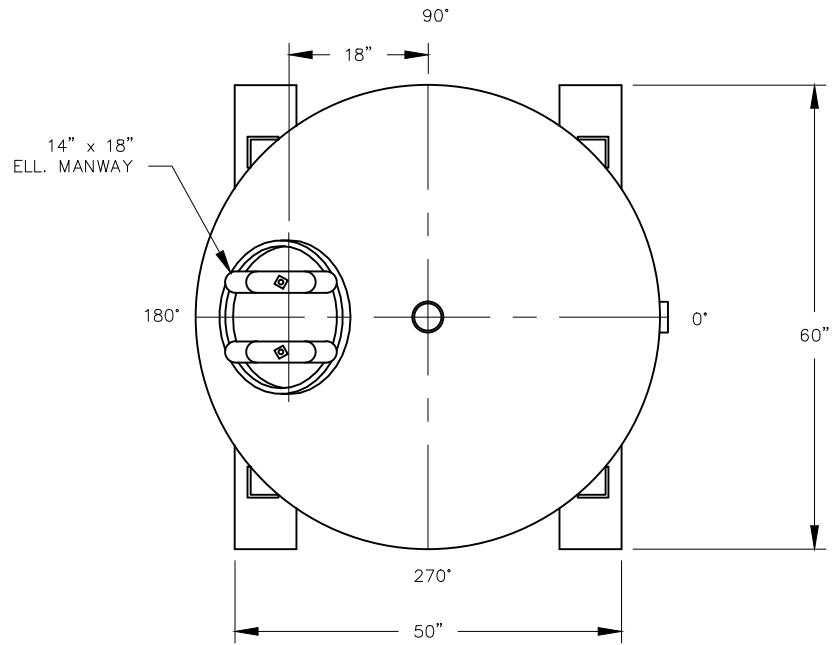


**ELEVATION**



**PLAN**

## VESSEL STANDARDS

VESSEL MATERIALS : SA-36 CARBON STEEL	LIQUID DRAIN ASSEMBLY : 3/4" NPT
LINING : EPOXY	TOTAL VOLUME OF VESSEL : 140 FT <sup>3</sup>
EXTERIOR PAINT : EPOXY BASE W/ URETHANE TOP COAT	MAX. MEDIA FILL : 120 FT <sup>3</sup>
HEAD THICKNESS : 3/16"	SHIP WT. EMPTY : 1350 LBS
SHELL THICKNESS : 3/16"	MAX. OPERATING PRESSURE : 75 PSI
INTERNALS : PVC	MAX. OPERATING TEMPERATURE. : 130°F
VESSEL ACCESS : 14" X 18" ELLIPTICAL MANWAY	

1	UPDATE VESSEL STANDARDS	JB	5/16/12
NO.	REVISION	BY	DATE
PROJECT		CL-3000	
PROJ. NO.	SALES		
P.O. NO.			
THIS DRAWING AND DESIGN ARE THE PROPERTY OF TIGG CORP. AND SHALL NOT BE REPRODUCED IN WHOLE OR IN PART, NOR EMPLOYED FOR ANY PURPOSE OTHER THAN SPECIFICALLY PERMITTED IN WRITING BY TIGG CORP. THIS DRAWING LOANED SUBJECT TO RETURN ON DEMAND.			
DRAWN BY	JB		
DESIGN BY	BB		
CHKD. BY	BB		
DATE	4/22/08		
SCALE	NTS		
DWG. NO.		CL-3000-1001	REV.
			1



PLAN & ELEVATION