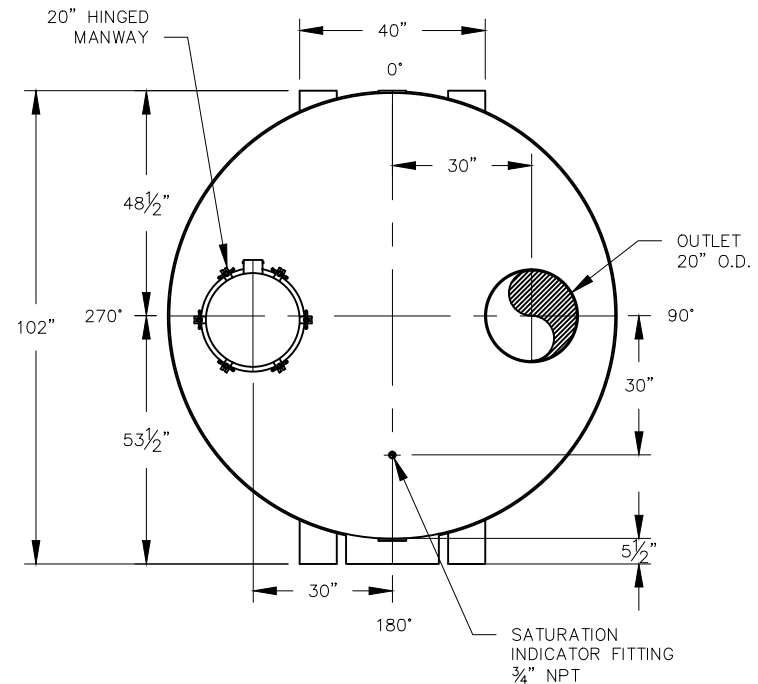


**ELEVATION**



**PLAN**

\* STAINLESS STEEL BED RETENTION PLATE, 140°F WITH PE PLATE

**VESSEL STANDARDS**

VESEL MATERIALS : SA-36	VESEL ACCESS : 20" HINGED MANWAY
LINING : EPOXY	LIQUID DRAIN ASSEMBLY : 1" NPT W/ HDPE PLUG
EXTERIOR PAINT : EPOXY BASE W/ URETHANE TOP COAT	MAX. MEDIA FILL : 275 FT <sup>3</sup>
HEAD THICKNESS : 1/4" NOM.	SHIP WT. EMPTY : 4000 LBS
SHELL THICKNESS : 1/4" NOM.	MAX. OPERATING PRESSURE : 15 PSIG
INTERNALS : STAINLESS STEEL PLENUM	MAX. OPERATING TEMPERATURE : 180°F

3	ADD LIFT LUGS	JB	6/21/11
2	UPDATE VESSEL STANDARDS	JB	8/24/10
1	SHORTEN FORK TUBE LENGTH FOR TRANSIT	JB	10/3/09
NO.	REVISION	BY	DATE

PROJECT	
N-5000-PDB	
PROJ. NO.	SALES
P.O. NO.	
THIS DRAWING AND DESIGN ARE THE PROPERTY OF TIGG CORP. AND SHALL NOT BE REPRODUCED IN WHOLE OR IN PART, NOR EMPLOYED FOR ANY PURPOSE OTHER THAN SPECIFICALLY PERMITTED IN WRITING BY TIGG CORP. THIS DRAWING LOANED SUBJECT TO RETURN ON DEMAND.	
DRAWN BY	JB
DESIGN BY	BB
CHKD. BY	BB
DATE	2/23/06
SCALE	NTS



PLAN & ELEVATION

N-5000-PDB-1001 REV. 3