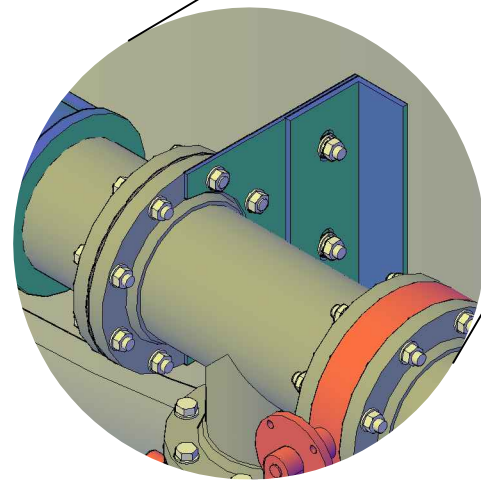
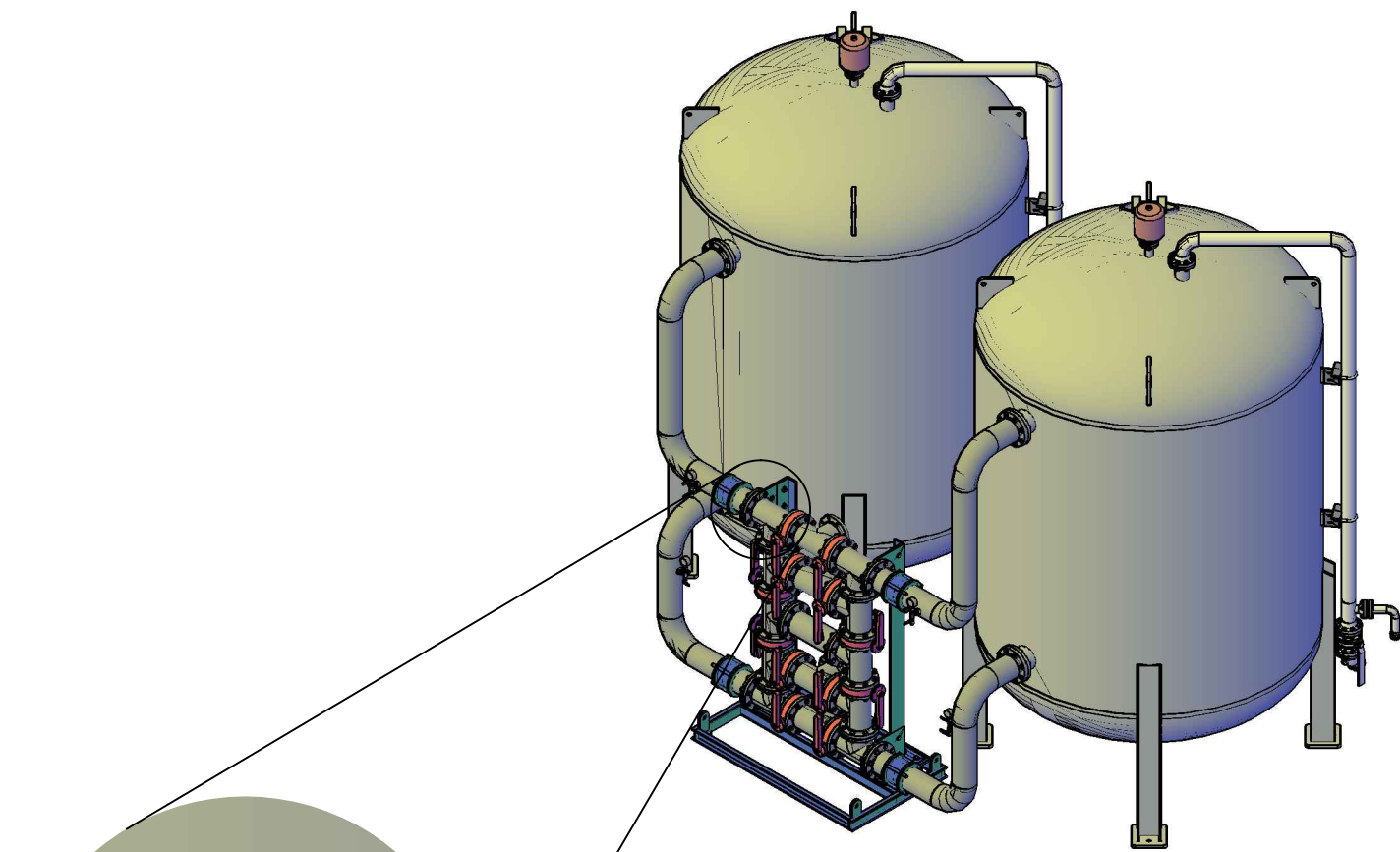
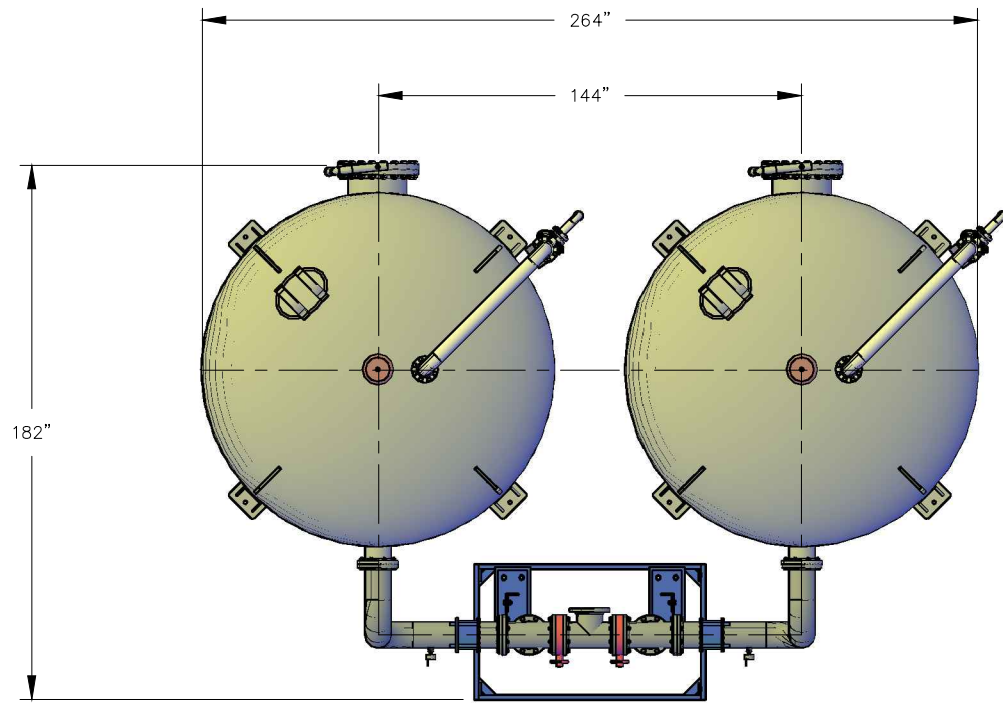


ELEVATION



SUPPORT DETAIL

FASTEN INLET/OUTLET TEE FLANGES
TO PIPE RACK FLANGE BRACKETS.
(4 PLCS.)



PLAN

FOR REVIEW
ONLY

PROJECT	
CP-20K-12	
PROJ. NO.	PLANT STANDARD
P.O. NO.	
THIS DRAWING AND DESIGN ARE THE PROPERTY OF TIGG CORP. AND SHALL NOT BE REPRODUCED IN WHOLE OR IN PART, NOR EMPLOYED FOR ANY OTHER PURPOSE OTHER THAN SPECIFICALLY PERMITTED IN WRITING BY TIGG CORP. THIS DRAWING IS LOANED SUBJECT TO RETURN ON DEMAND.	
DRAWN BY	KP
DESIGN BY	
CHKD. BY	JB
DATE	3/23/12
SCALE	NTS

NO.	REVISION	BY	DATE



SYSTEM LAYOUT

DWG. NO.	CP-20K-12-1003	REV.	A
----------	----------------	------	---