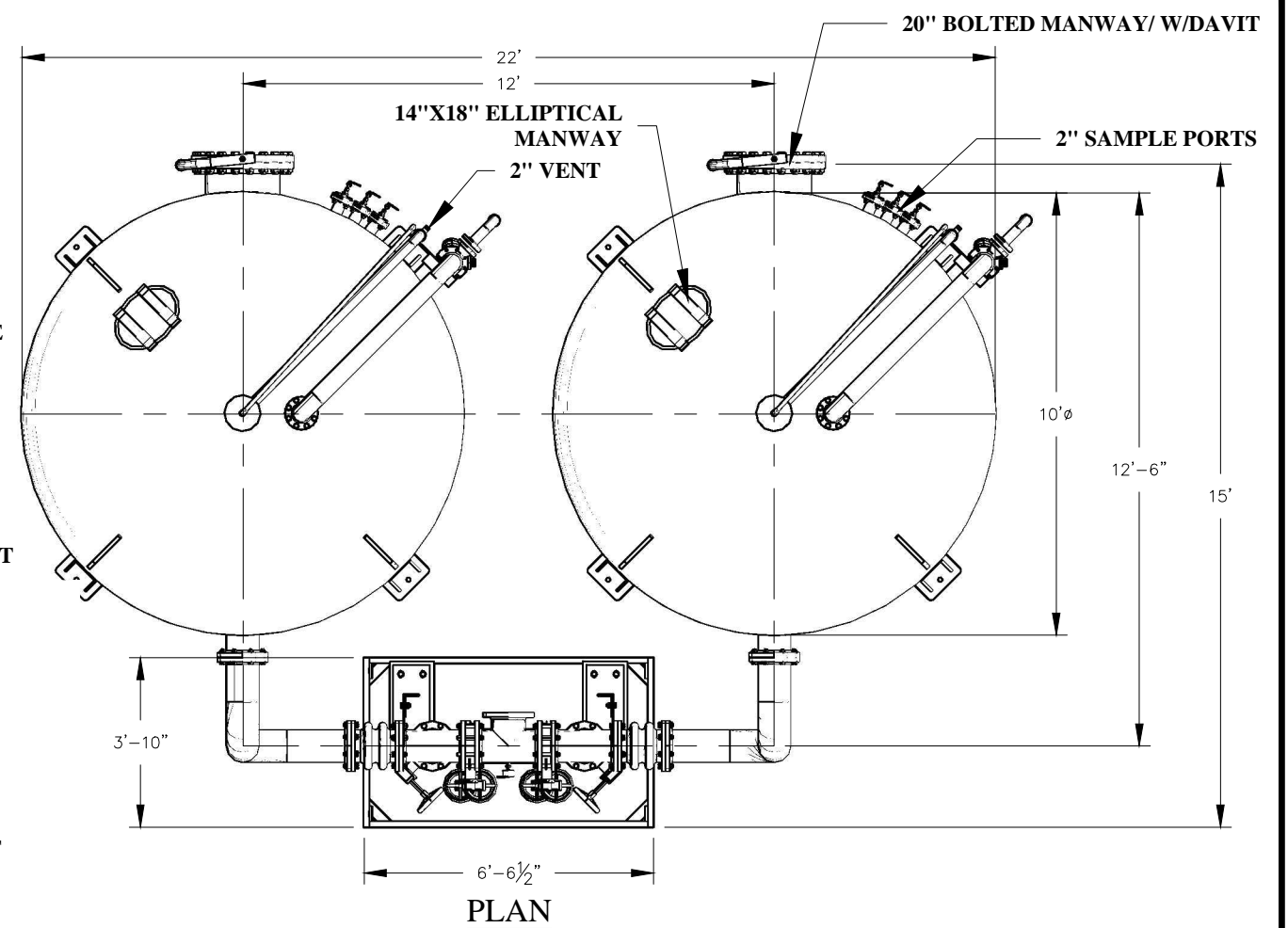


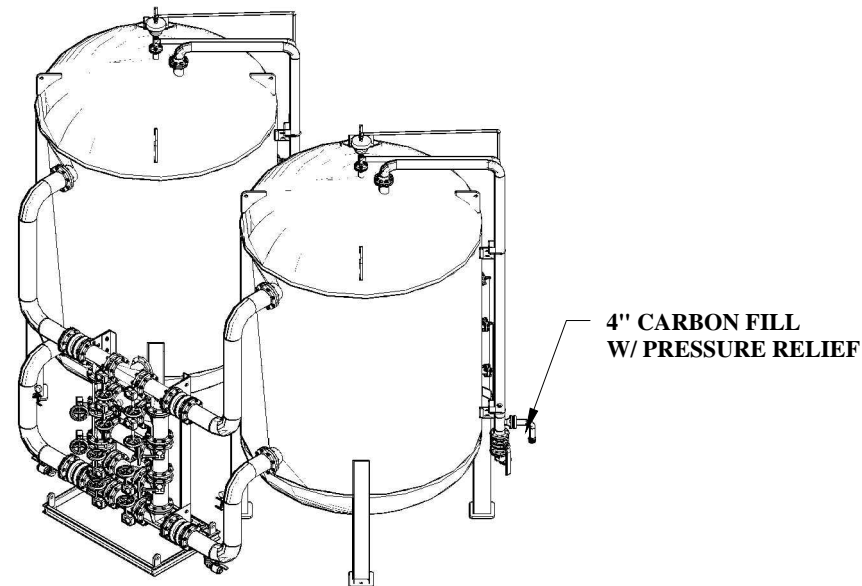
O.A.H. APPROX.  
19'-1" 17'-6"

**ELEVATION**

12 VALVE 8" PIPE RACK



**PLAN**



4" CARBON FILL  
W/ PRESSURE RELIEF

EMPTY VESSEL WT. (1): 13,000 LBS  
 VESSEL OPERATING WT. (1): 79,000 LBS  
 PIPE RACK OPERATING WT: 12,000 LBS  
 SYSTEM OPERATING WT.: 170,000 LBS

FOR REFERENCE ONLY

3	ADD ADD 2" MANUAL VENT & EFFLUENT DRAIN	JB	3/21/14
2	ADD EXPANSION JOINTS	JB	1/10/13
1	ADD SAMPLE PORTS TO VESSEL	RC	12/19/12
NO.	REVISION	BY	DATE

PROJECT CP-20K-10 (SYSTEM)	
PROJ. NO.	SALES
P.O. NO.	
THIS DRAWING AND DESIGN ARE THE PROPERTY OF TIGG CORP. AND SHALL NOT BE REPRODUCED IN WHOLE OR IN PART, NOR EMPLOYED FOR ANY OTHER PURPOSE OTHER THAN SPECIFICALLY PERMITTED IN WRITING BY TIGG CORP. THIS DRAWING IS LOANED SUBJECT TO RETURN ON DEMAND.	
DRAWN BY	JB
DESIGN BY	JB
CHKD. BY	BB
DATE	2/9/10
SCALE	NTS



SYSTEM GENERAL  
ARRANGEMENT

DWG. NO.	CP-20K-10-1003	REV.	3
----------	----------------	------	---