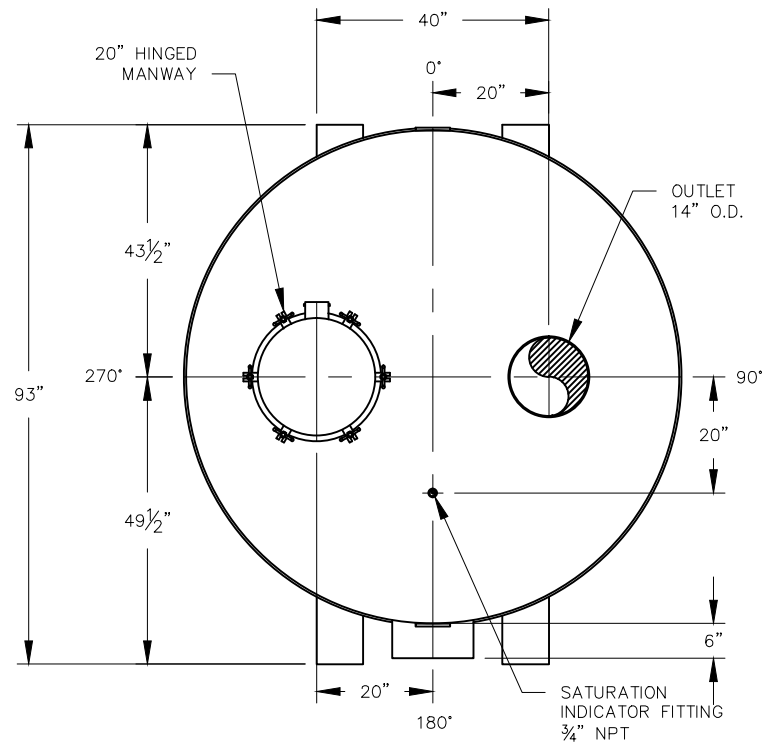


ELEVATION



PLAN

* STAINLESS STEEL BED RETENTION PLATE.
140°F WITH PE PLATE

VESSEL STANDARDS

| | |
|--|---|
| VESEL MATERIALS : SA-36 | VESEL ACCESS : 20" HINGED MANWAY |
| LINING : EPOXY | LIQUID DRAIN ASSEMBLY : 1" NPT W/ HDPE PLUG |
| EXTERIOR PAINT : EPOXY BASE W/ URETHANE TOP COAT | MAX. MEDIA FILL : 203 FT ³ |
| HEAD THICKNESS : 3/16" NOM. | SHIP WT. EMPTY : 2750 LBS |
| SHELL THICKNESS : 1/4" NOM. | MAX. OPERATING PRESSURE : 15 PSIG |
| INTERNALS : STAINLESS STEEL PLENUM | MAX. OPERATING TEMPERATURE. : 180°F |

| | | | |
|-----|-------------------------|----|---------|
| 2 | ADD LIFT LUGS | CB | 4/28/11 |
| 1 | UPDATE VESSEL STANDARDS | JB | 8/24/10 |
| NO. | REVISION | BY | DATE |

| | |
|--|--------|
| PROJECT | |
| N-4000-PDB | |
| PROJ. NO. | SALES |
| P.O. NO. | |
| THIS DRAWING AND DESIGN ARE THE PROPERTY OF TIGG CORP. AND SHALL NOT BE REPRODUCED IN WHOLE OR IN PART, NOR EMPLOYED FOR ANY PURPOSE OTHER THAN SPECIFICALLY PERMITTED IN WRITING BY TIGG CORP. THIS DRAWING LOANED SUBJECT TO RETURN ON DEMAND. | |
| DRAWN BY | JB |
| DESIGN BY | BB |
| CHKD. BY | BB |
| DATE | 9/6/06 |
| SCALE | NTS |



PLAN & ELEVATION

N-4000-PDB-1001 REV. 2