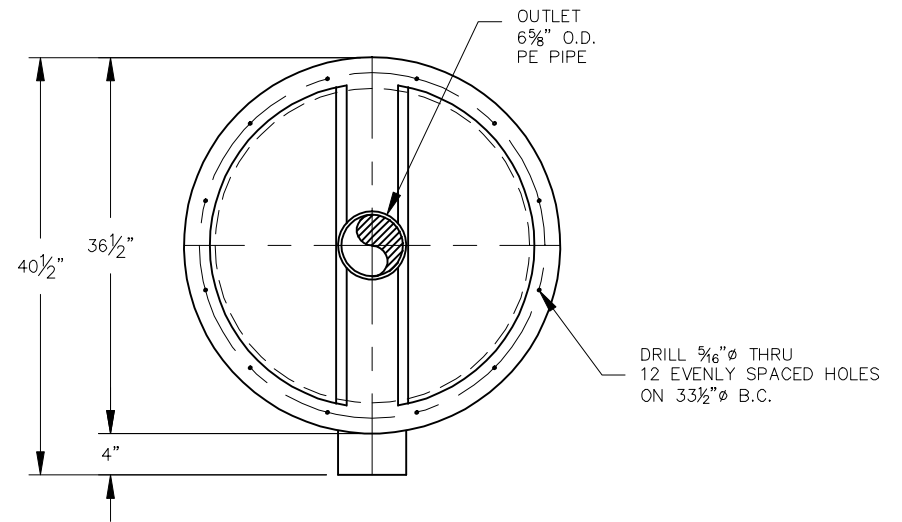


ELEVATION



PLAN

4	REMOVE INLET / OUTLET FLANGE	JB	3/9/10
3	SHORTEN INLET PROJECTION	JB	6/23/05
2	REVISE GROUNDING ROD HEIGHT	JB	12/15/03
1	REVISE TITLEBLOCK	JB	6/24/03
NO.	REVISION	BY	DATE

PROJECT

N-400-XP

PROJ. NO. SALES

P.O. NO.

THIS DRAWING AND DESIGN ARE THE PROPERTY OF DCS CORP. AND SHALL NOT BE REPRODUCED IN WHOLE OR IN PART NOR EMPLOYED FOR ANY PURPOSE OTHER THAN SPECIFICALLY PERMITTED IN WRITING BY TIGG CORP. THIS DRAWING LOANED SUBJECT TO RETURN ON DEMAND.

DRAWN BY ZS

DESIGN BY BL

CHKD. BY BL

DATE 6/24/03

SCALE NTS



PLAN & ELEVATION

DWG. NO. N-400-XP-1001 REV. 4

VESSEL STANDARDS

VESSEL MATERIALS : LINEAR DENSITY POLYETHYLENE	VOLUME OF MEDIA BED : 14.7 FT ³
LINING : N/A	STANDARD CARBON FILL : 400 LBS
EXTERIOR PAINT : N/A	SHIP WT. : 440 LBS
INTERNALS : POLYETHYLENE	MAXIMUM OPERATING PRESSURE : ATMOSPHERE
ADSORBENT OUTLET ASSEMBLY : N/A	MAXIMUM OPERATING TEMPERATURE : 130°F
CONDENSATE DRAIN ASSEMBLY : 1/2" FNPT W/ PLUG	