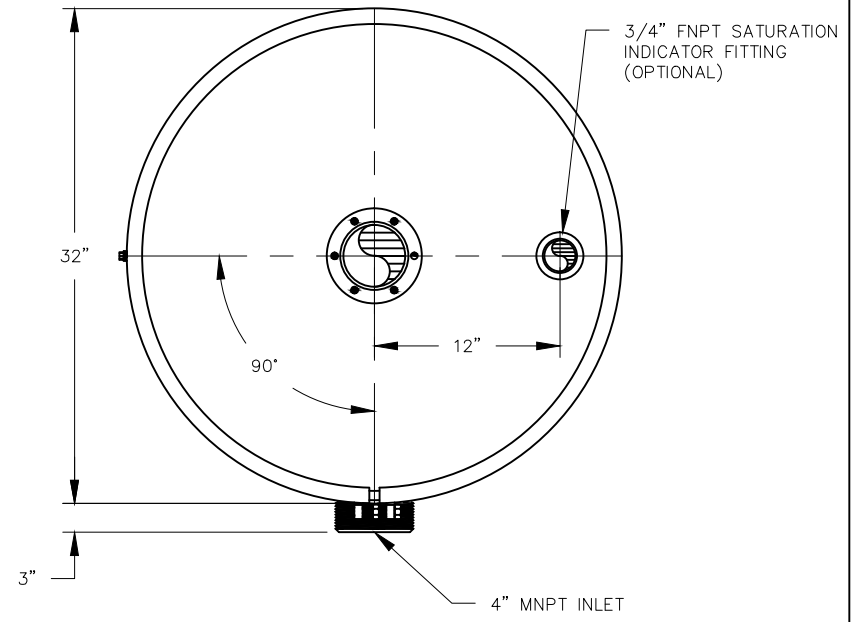


ELEVATION



PLAN

VESSEL STANDARDS

|   |   |
|---|---|
| VESEL MATERIALS : CARBON STEEL                    | APPROXIMATE VOLUME OF VESSEL : 16 FT <sup>3</sup> |
| LINING : EPOXY PHENOLIC                           | STANDARD CARBON FILL : 400 LBS                    |
| EXTERIOR PAINT : ACRYLIC ALKYD ENAMEL             | SHIP WEIGHT : 530 LBS                             |
| INTERNALS : S.S. SCREEN                           | MAXIMUM OPERATING PRESSURE : 1 PSIG               |
| ADSORBENT OUTLET ASSEMBLY : REMOVABLE COVER       | MAX. OPERATING TEMPERATURE : 130°F                |
| CONDENSATE DRAIN ASSEMBLY : 1/2" PLUG WITH SCREEN |   |

|     |                           |    |         |
|-----|---------------------------|----|---------|
| 3   | REVISE TITLE BLOCK        | JB | 1/21/15 |
| 2   | REVISE TEMPERATURE RATING | JB | 9/9/03  |
| 1   | REVISE TITLE BLOCK        | JB | 1/30/03 |
| NO. | REVISION                  | BY | DATE    |

|   |        |
|---|--------|
| PROJECT   |        |
| N-250   |        |
| PROJ. NO.   | SALES  |
| P.O. NO.  |        |
| <small>THIS DRAWING AND DESIGN ARE THE PROPERTY OF TIGG CORP. AND SHALL NOT BE REPRODUCED IN WHOLE OR IN PART NOR EMPLOYED FOR ANY PURPOSE OTHER THAN SPECIFICALLY PERMITTED IN WRITING BY TIGG CORP. THIS DRAWING IS LOANED SUBJECT TO RETURN ON DEMAND.</small> |        |
| DRAWN BY  | ZS     |
| DESIGN BY   | BB     |
| CHKD. BY  | BB     |
| DATE  | 7/3/00 |
| SCALE   | NTS    |



|                  |            |
|------------------|------------|
| PLAN & ELEVATION |            |
| DWG. NO.         | N-250-1001 |
| REV.             | 3          |