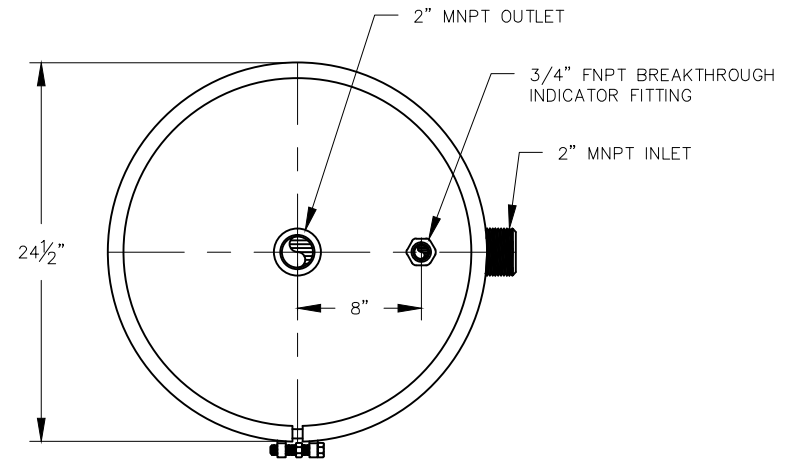


ELEVATION



PLAN

## VESSEL STANDARDS

VESSEL MATERIALS : CARBON STEEL	VOLUME OF VESSEL : 7.5 FT <sup>3</sup>
LINING : EPOXY PHENOLIC	STANDARD CARBON FILL : 175 LBS
EXTERIOR PAINT : ACRYLIC ALKYD ENAMEL	SHIP WEIGHT : 218 LBS
INTERNALS : STAINLESS STEEL SCREEN	MAXIMUM OPERATING PRESSURE : 6 PSIG
ADSORBENT OUTLET ASSEMBLY : REMOVABLE COVER	MAXIMUM OPERATING TEMPERATURE : 200°F
LIQUID DRAIN ASSEMBLY : N/A	

3	REMOVE DRAIN	JB	8/1/13
2	REVISE INLET ELEVATION	JB	11/2/06
1	REVISE TITLEBLOCK	JB	6/30/03
NO.	REVISION	BY	DATE

PROJECT

ECONOSORB-V

PROJ. NO. SALES

P.O. NO.

THIS DRAWING AND DESIGN ARE THE PROPERTY OF TIGG CORP. AND SHALL NOT BE REPRODUCED IN WHOLE OR IN PART NOR EMPLOYED FOR ANY PURPOSE OTHER THAN SPECIFICALLY PERMITTED IN WRITING BY TIGG CORP. THIS DRAWING LOCKED SUBJECT TO RETURN ON DEMAND.

DRAWN BY ZS

DESIGN BY BL

CHKD. BY BL

DATE 10/12/99

SCALE NTS



PLAN & ELEVATION

DWG. NO. ECONOSORB-V-1001 REV. 3