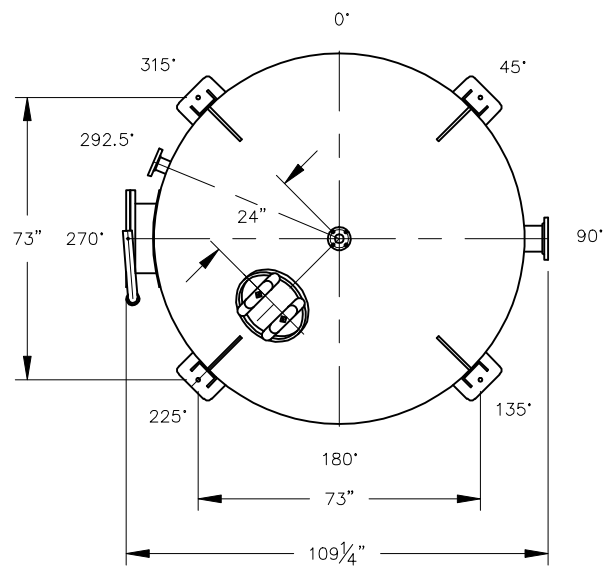


ELEVATION



PLAN

2	REVISE PRESSURE RATING FROM 75 TO 125	JB	12/7/09
1	ADD 10" TO STRAIGHT SIDE	JB	3/2/09
NO.	REVISION	BY	DATE

PROJECT	
CP-8000	
PROJ. NO.	SALES
P.O. NO.	
THIS DRAWING AND DESIGN ARE THE PROPERTY OF TIGG CORP. AND SHALL NOT BE REPRODUCED IN WHOLE OR IN PART NOR EMPLOYED FOR ANY PURPOSE OTHER THAN SPECIFICALLY PERMITTED IN WRITING BY TIGG CORP. THIS DRAWING LOANED SUBJECT TO RETURN ON DEMAND.	
DRAWN BY	JB
DESIGN BY	BB
CHKD. BY	BB
DATE	10/17/08
SCALE	NTS



PLAN & ELEVATION	
DWG. NO.	CP-8000-1001
REV.	2

VESSEL STANDARDS

VESSEL MATERIALS : SA-516-70	LIQUID DRAIN ASSEMBLY : 2" FLANGE W/ 1" NPT
LINING : EPOXY	MAX. MEDIA FILL : 440 FT ³
EXTERIOR PAINT : EPOXY BASE W/ URETHANE TOP COAT	SHIP WT. EMPTY : 5,850 LBS
HEAD THICKNESS : 3/8" 2:1 ELLIPTICAL	TOTAL VOLUME OF VESSEL : 544 FT ³
SHELL THICKNESS : 3/8"	MAX. OPERATING PRESSURE : 125 PSIG
INTERNALS : PVC	MAX. OPERATING TEMPERATURE. : 130°F
VESSEL ACCESS : 14" x 18" ELL. MANWAY / 18" BOLTED MANWAY	