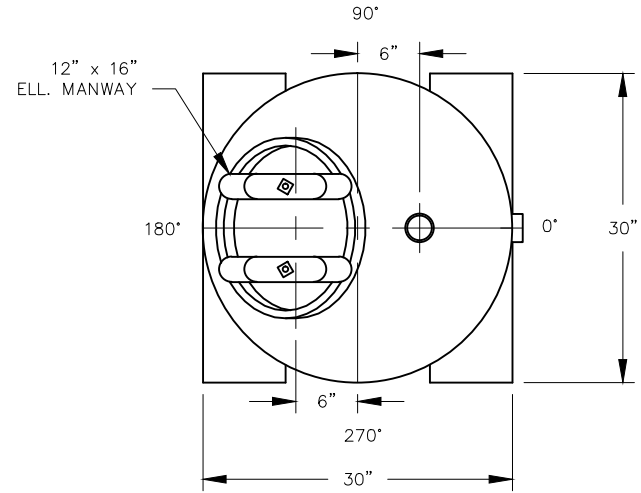


ELEVATION



PLAN

2	UPDATE VESSEL STANDARDS	JB	5/16/12
1	REPLACE LEGS WITH SKIRT	JB	7/29/08
NO.	REVISION	BY	DATE

PROJECT

CL-500

PROJ. NO. SALES

P.O. NO.

THIS DRAWING AND DESIGN ARE THE PROPERTY OF TIGG CORP. AND SHALL NOT BE REPRODUCED IN WHOLE OR IN PART, OR EMPLOYED FOR ANY PURPOSE OTHER THAN SPECIFICALLY PERMITTED IN WRITING BY TIGG CORP. THIS DRAWING LOANED SUBJECT TO RETURN ON DEMAND.

DRAWN BY JB

DESIGN BY BB

CHKD. BY BB

DATE 4/22/08

SCALE NTS



PLAN & ELEVATION

DWG. NO. CL-500-1001

REV.

2

VESSEL STANDARDS

VESSEL MATERIALS : SA-36 CARBON STEEL	LIQUID DRAIN ASSEMBLY : 3/4" NPT
LINING : EPOXY	TOTAL VOLUME OF VESSEL : 23 FT ³
EXTERIOR PAINT : EPOXY BASE W/ URETHANE TOP COAT	MAX. MEDIA FILL : 19 FT ³
HEAD THICKNESS : 3/16"	SHIP WT. EMPTY : 500 LBS
SHELL THICKNESS : 3/16"	MAX. OPERATING PRESSURE : 75 PSI
INTERNALS : PVC	MAX. OPERATING TEMPERATURE. : 130°F
VESSEL ACCESS : 12" X 16" ELLIPTICAL MANWAY	