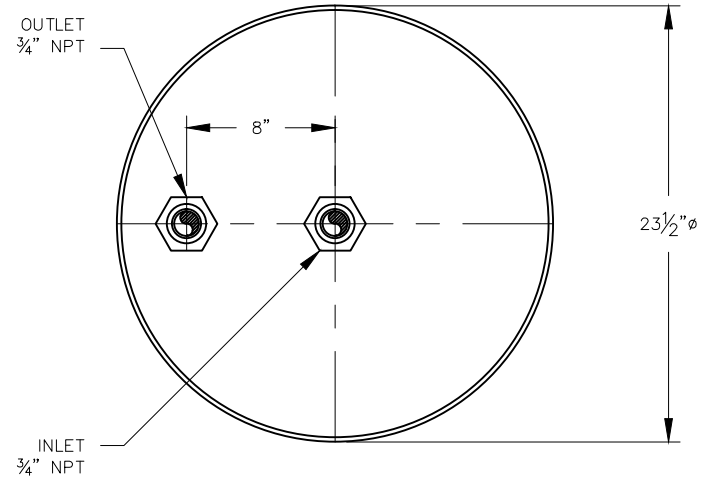



ELEVATION



PLAN

VESSEL STANDARDS

VESEL MATERIALS : CARBON STEEL	VOLUME OF VESSEL : 55 GAL.
LINING : DOUBLE EPOXY / PHENOLIC	MAXIMUM MEDIA FILL : 7.3 FT ³
EXTERIOR PAINT : ACRYLIC ALKYD ENAMEL	SHIP WT. (EMPTY) : 60 LBS
INTERNALS : SCH 40 GALVANIZED	MAXIMUM OPERATING PRESSURE : 15 PSIG
ADSORBENT OUTLET ASSEMBLY : N/A	MAXIMUM OPERATING TEMPERATURE. : 130°
LIQUID DRAIN ASSEMBLY : N/A	

2	REVISED LAYOUT	JB	12/20/12
1	REVISE PRESSURE RATING	JB	6/23/06
NO.	REVISION	BY	DATE
PROJECT		C-15-TX DRUM	
PROJ. NO.		SALES	
P.O. NO.			
THIS DRAWING AND DESIGN ARE THE PROPERTY OF TIGG CORP. AND SHALL NOT BE REPRODUCED IN WHOLE OR IN PART, NOR EMPLOYED FOR ANY PURPOSE OTHER THAN SPECIFICALLY PERMITTED IN WRITING BY TIGG CORP. THIS DRAWING LOANED SUBJECT TO RETURN ON DEMAND.			
DRAWN BY	JB		
DESIGN BY	BB		
CHKD. BY	BB		
DATE	5/12/06		
SCALE	NTS	DWG. NO.	C-15-TX-1001
			REV. 2

PLAN & ELEVATION